

# Extruded Aluminum Brick Vent

**LVS1**

1½" Deep • 45° Blade • Flange Frame

## STANDARD MATERIALS AND CONSTRUCTION

- FRAME:** .125 thick extruded aluminum alloy
- BLADE:** .125 thick extruded aluminum alloy
- SCREEN:** Aluminum mesh insect screen 18x16
- FINISH:** Clear anodized

## OPTIONS

Finish - Baked Powder Polyester, or Fluoropon

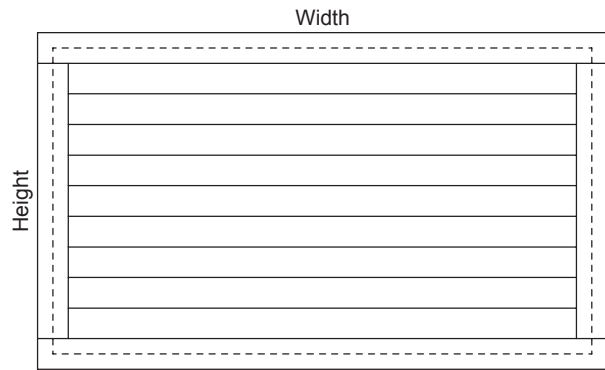
## NOTES

1. "A" width and "B" height are opening dimensions.
2. Shipping weight approximately 6.0 lbs./sq.ft.

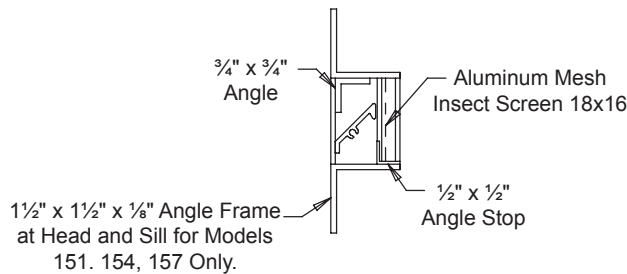
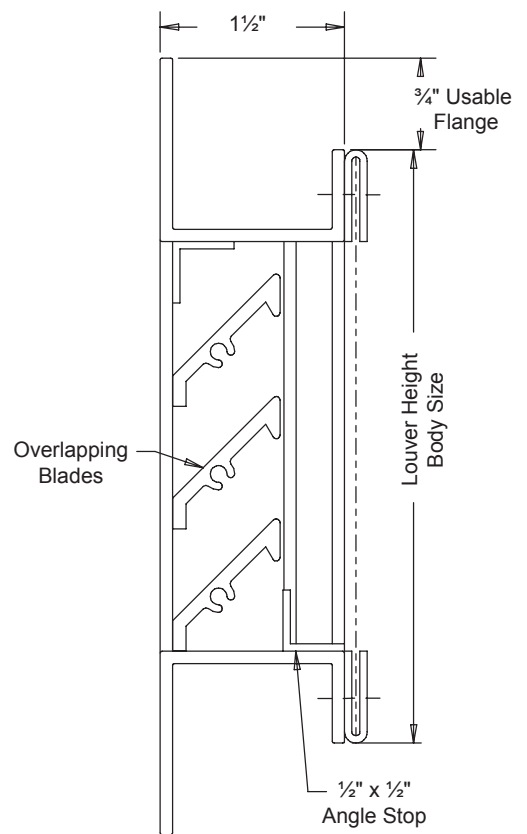
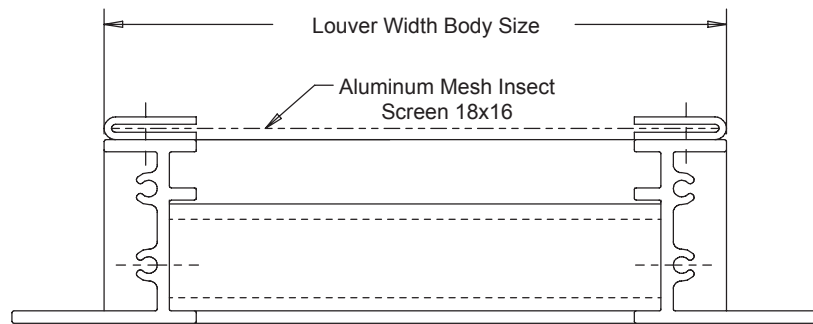
## STOCK SIZES

No.	Body Size	Free Area (sq.in.)
151	8"W x 2½"H	4.48
152	8"W x 4¾"H	7.01
153	8"W x 7¾"H	15.88
154	16½"W x 2½"H	10.33
155	16½"W x 4¾"H	16.18
156	16½"W x 7¾"H	36.64
157	12"W x 2½"H	7.23
158	12"W x 4¾"H	11.32
159	24"W x 4¾"H	24.16
162	24"W x 7¾"H	54.96

For sizes not listed, contact customer service.



Full Head and Sill with Jambs Contained Within



SD-LVS1-09.12

P.O. Box 606 • Florence, KY 41042 • Phone (859) 647-2299 • Fax (859) 647-7810

December 2009

This page intentionally left blank.