

# Extruded Aluminum Louver

**IL85**

8" Deep • Chevron Drainable Blade • Rain Resistant Stationary Louver

## STANDARD CONSTRUCTION

- FRAME:** .081" thick; 6063-T52/T6 extruded aluminum alloy
- BLADES:** .081" thick; 6063-T52/T6 extruded aluminum alloy
- ASSEMBLY:** Mechanically fastened
- SCREEN:** 1/2" x .051" flattened aluminum birdscreen
- FINISH:** Mill

## OPTIONS

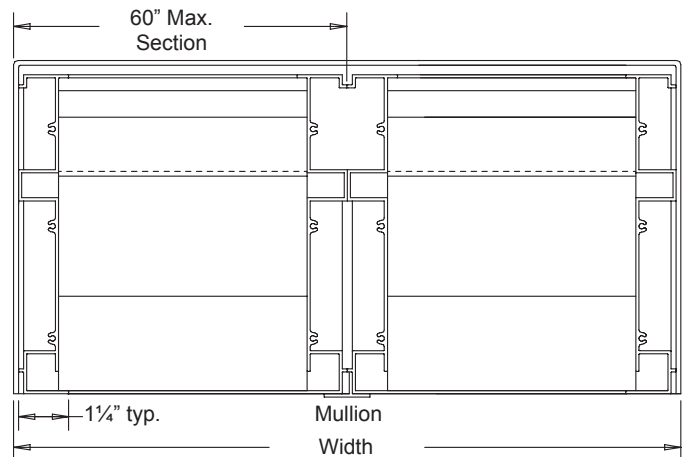
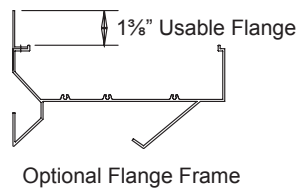
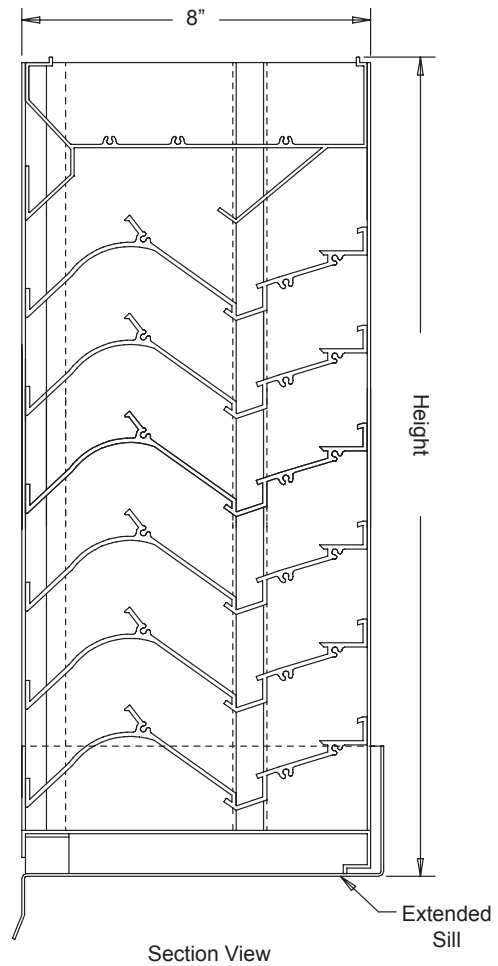
- Finish - Baked Enamel, Kynar, or Anodize
- Variety of Bird and Insect Screen
- 1 3/8" Usable Flange Frame (3 Sides Only)
- Welded Construction
- Blank-off Panels

## NOTES

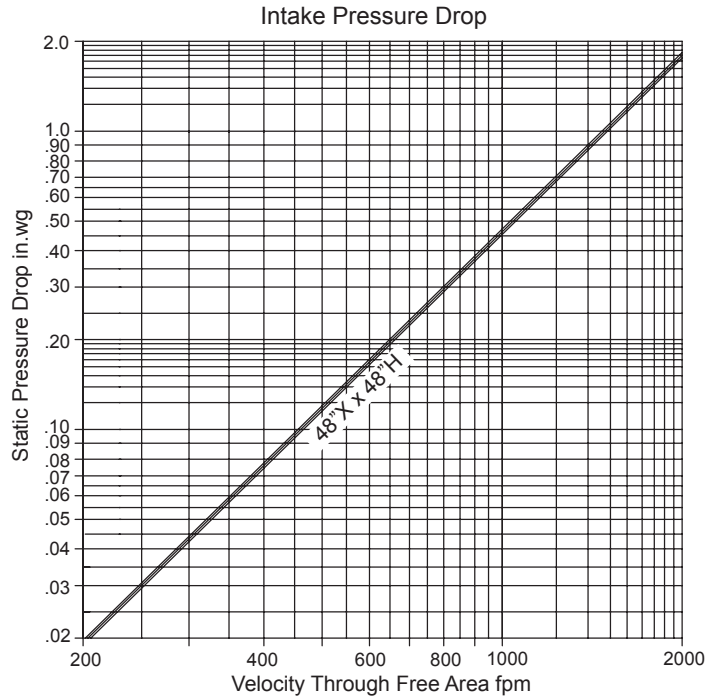
1. "A" width and "B" height are opening dimensions. Louvers are provided approximately 1/2" undercut.
2. Shipping weight approximately 9.0 lbs./sq.ft.

## LOUVER SIZE

Panels	Min Panel	Max Single Panel
IL85	12"W x 12"H	30 sq.ft.



Pressure Drop: 0.50 in.wg at 1000 fpm and 5408 scfm  
 Free Area: 9.01 sq.ft. = 56% for 48"W x 48"H test size



Free Area sq. ft.

		Width								
		12"	18"	24"	30"	36"	42"	48"	54"	60"
Height	12"	0.30	0.49	0.68	0.87	1.06	1.25	1.44	1.63	1.82
	24"	0.83	1.36	1.89	2.42	2.95	3.48	4.01	4.54	5.07
	36"	1.37	2.24	3.12	3.99	4.86	5.74	6.61	7.49	8.36
	48"	1.86	3.05	4.24	5.43	6.62	7.82	9.01	10.20	11.39
	60"	2.39	3.92	5.45	6.98	8.52	10.05	11.58	13.11	14.64
	72"	2.93	4.80	6.68	8.55	10.43	12.30	14.18	16.05	17.92
	84"	3.42	5.62	7.81	10.00	12.19	14.38	16.57	18.76	20.95
	96"	3.96	6.49	9.02	11.55	14.08	16.61	19.14	21.67	24.20

Wind Driven Rain Test Based on a Louver having a 39"W x 39"H Core Area

Class	Effectiveness %	Maximum Allowed Penetration of Simulated Rain (gal/h/ft <sup>2</sup> )	Free Area Velocity	cfm (48"W x 48"H)
A	99	3" Rainfall and 29 mph Wind Velocity	888 fpm	8000 cfm