

Formed Steel Louver

SL69

6" Deep • Insulate Blade • Adjustable Louver

STANDARD CONSTRUCTION

- FRAME:** 6" wide, 16-GA galvanized steel channel provides greater strength and rigidity
- BLADES:** 18-GA galvanized steel, double-thickness
- INSULATION:** 1½" thick with styrofoam insulation sandwiched between metal skins, mechanically fastened together on 6" C-C standard spacing
- ASSEMBLY:** Mechanically Fastened
- AXLES:** ½" dia. cadmium plated steel stub
- BEARINGS:** Oilite bronze
- LINKAGE:** Concealed in channel, out of airstream
- SEALS:** Polyurethane
- SCREEN:** ½" x .051" flattened galvanized steel birdscreen
- DRIVESHAFT:** ½" dia. cadmium plated steel permanently extended 6" beyond frame for external drive; For internal drive a blade clip will be provided
- FINISH:** Mill

OPTIONS

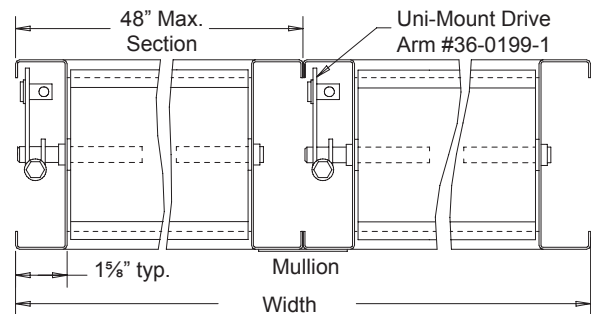
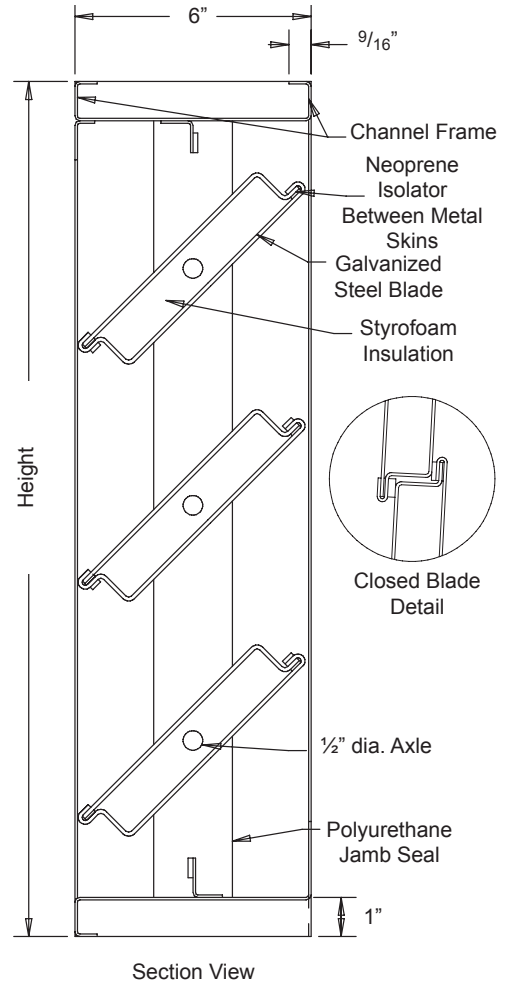
- Finish - Baked Enamel, Kynar, or Anodize
- Variety of Bird and Insect Screen (Interior or Exterior)
- Stainless Steel Jamb Seals
- Other Gauges and Materials (Stainless Steel, Copper, Aluminum)
- Flange Frame
- Blank-off Panels

NOTES

1. "A" width and "B" height are opening dimensions. Louvers are provided approximately ½" undercut.
2. Insulating factors for louver:
 R-Value = 4
 U-Factor = .25 btu per hour per square foot per degree F.
 The above values are based on calculations considering the face area of the damper only. This does not include frames. Insulation of damper frame shall be by others
2. Shipping weight approximately 7 lbs./sq.ft.

LOUVER SIZE

Panels	Min Panel	Max Single Panel
SL69	12"W x 12"H	60"W x 72"H



This page intentionally left blank.