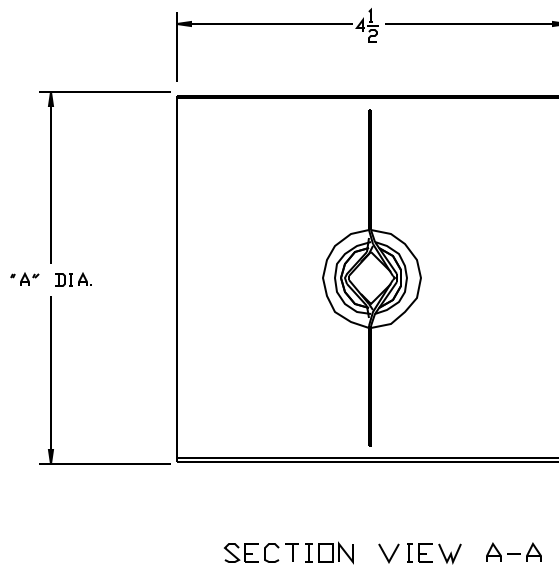
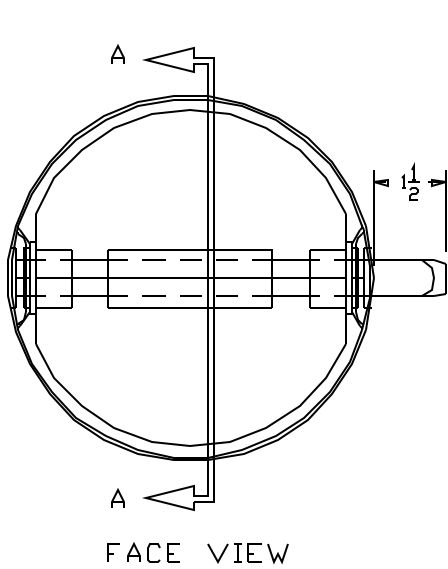


VOLUME CONTROL BALANCING DAMPER, SINGLE THICKNESS BLADE, GALVANIZED STEEL, 1" W.G., 1500 F.P.M.




L & D ITEM No.	QUANTITY	"A" DUCT DIAMETER	OPTIONS				COMMENTS
			304 S.S. CONSTRUCTION	316 S.S. CONSTRUCTION	ALUMINUM W/ S.S. BLADES & BEARINGS	POLYFOAM FRAME STOPS	

L-12 STANDARD SPECIFICATIONS

- FRAME: 4-1/2" DEEP, 20 GAUGE GALVANIZED STEEL (4"-18 DIA.)
20 GAUGE GALVANIZED STEEL WITH REINFORCING BEADS
OR 18 GAUGE GALVANIZED STEEL (19"-24" DIA.)
- BLADE: GALVANIZED STEEL, SINGLE THICKNESS;
22 GAUGE FROM 4" TO 12" DIAMETER.
20 GAUGE FROM 13" TO 18" DIAMETER.
16 GAUGE FROM 19" TO 24" DIAMETER.
- AXLES: 3/8" SQUARE PLATED STEEL STUB, WITH LANCED
RETAINERS.
- BEARINGS: NYLON.
FINISH: MILL.
- ACTUATOR: 3/8" SQUARE MANUAL LOCKING QUADRANT, SHIPPED
LOOSE.

NOTES

- ANY VARIATIONS TO THE STANDARD SPECIFICATIONS MUST BE FACTORY APPROVED IN ADVANCE.
- MINIMUM DIAMETER: 4".
MAXIMUM DIAMETER: 24".
DAMPER CAN ONLY BE ORDERED IN 1" INCREMENTS.
- DIMENSIONS: "A" DIAMETER DIMENSION IS OPENING SIZE.
DAMPER WILL BE FABRICATED 1/4" UNDERSIZE.
- THIS MODEL IS NOT RECOMMENDED FOR MOTORIZED APPLICATIONS.
- UNIT HAS ONLY ONE BLADE AND WILL EXTENDED INTO THE AIRSTREAM IN MOST CASES

REV	DESCRIPTION	DATE	BY
DATE :			
L & D PROD. NO. :			
PROJECT :			
CUSTOMER / ORDER NO. :			
ARCH. / ENGR. :			
AGENT / ORDER NO. :			
 LOUVERS & DAMPERS A MESTEK COMPANY 7435 INDUSTRIAL ROAD FLORENCE, KY Phone (859) 647-2299 Fax (859) 647-7810			
L-12 ROUND DAMPER			
DRN. BY	SJA	DWG. NO.	REV.
DATE		1-12-1	