

Steel Control Damper

AF53

10" Deep • Single Thickness Blade • Round Control Damper

STANDARD CONSTRUCTION

FRAME: 10" x 20-GA galvanized steel for dampers ≤ 18" dia.;
Dampers ≥ 20" 18-GA

BLADE: Double thickness galvanized steel, 14-GA equivalent

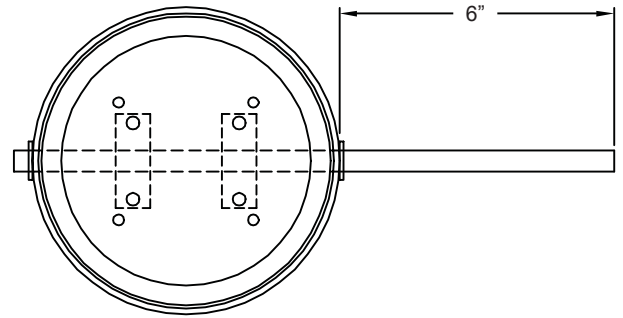
BEARINGS: Oil impregnated bronze sleeve

AXLES: ½" dia. galvanized or plated steel

SEALS: Neoprene, one piece, enclosed in a two piece blade construction

STOPS: #10-16 bolt with locknut at open and closed

ACTUATOR: An extended shaft 6" beyond the frame



OPTIONS

Actuator - Manual Quadrant, Electric, or Pneumatic (shipped loose)

2" Standoff for Manual Quadrant

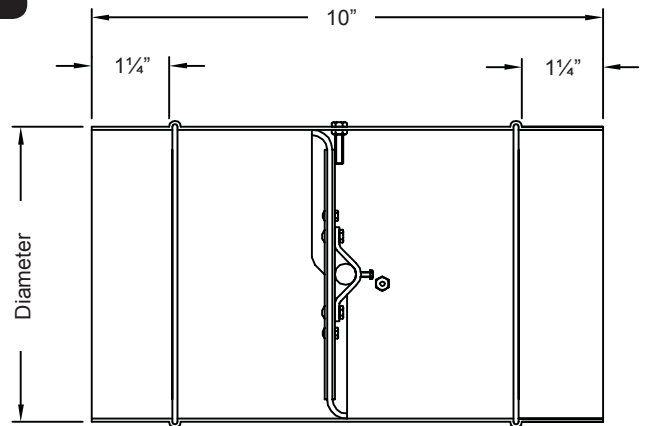
Motor Mount

NOTES

1. "A" diameter is opening dimension. Dampers are provided 1/8" undercut.

DAMPER SIZE

Panels	Sizes
AF53	4", 5",
	6", 7",
	8", 9",
	10",
	12",
	14",
	16",
	18",
	20",
	22",
	24" dia.



This page intentionally left blank.